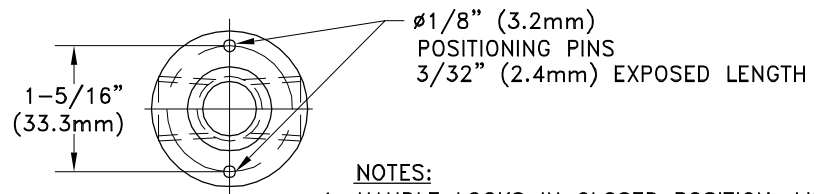
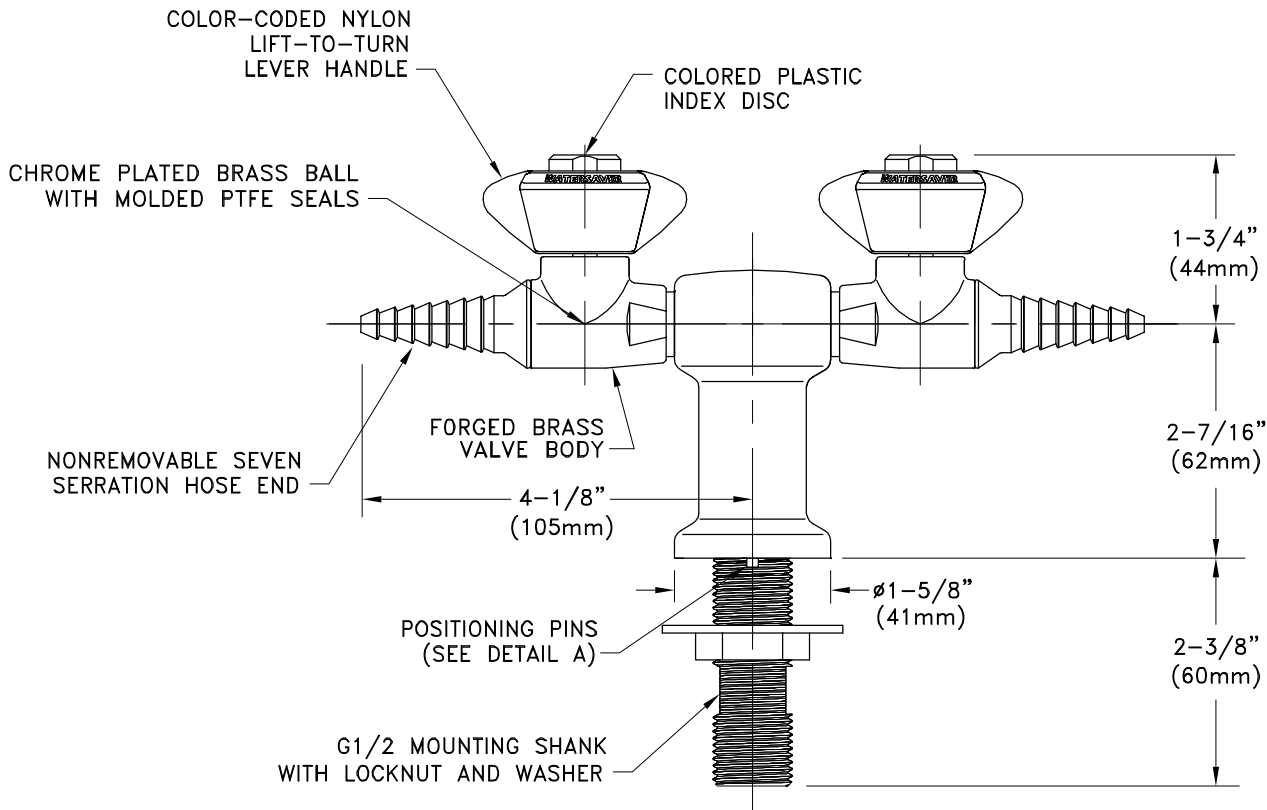
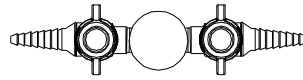


BT4160-232SWSA

LABORATORY LIFT/TURN GAS VALVE FITTING, DECK MOUNTED DOUBLE AT 180°



NOTES:

- HANDLE LOCKS IN CLOSED POSITION. LIFT HANDLE TO UNLOCK AND OPEN VALVE.
- FITTING IS FACTORY ASSEMBLED AND TESTED AT 125 PSI (8 BAR). MAXIMUM WORKING PRESSURE IS 75 PSI (5 BAR).
- SPECIFY IF CLEANING FOR OXYGEN AND HIGH PURITY GASES IS REQUIRED
- FITTING HAS COLORTECH EPOXY POWDER COATED FINISH. SPECIFY COLOR (WHITE, GRAY OR TAN) WHEN ORDERING.

MEASUREMENTS MAY VARY ±1/4" (6mm).