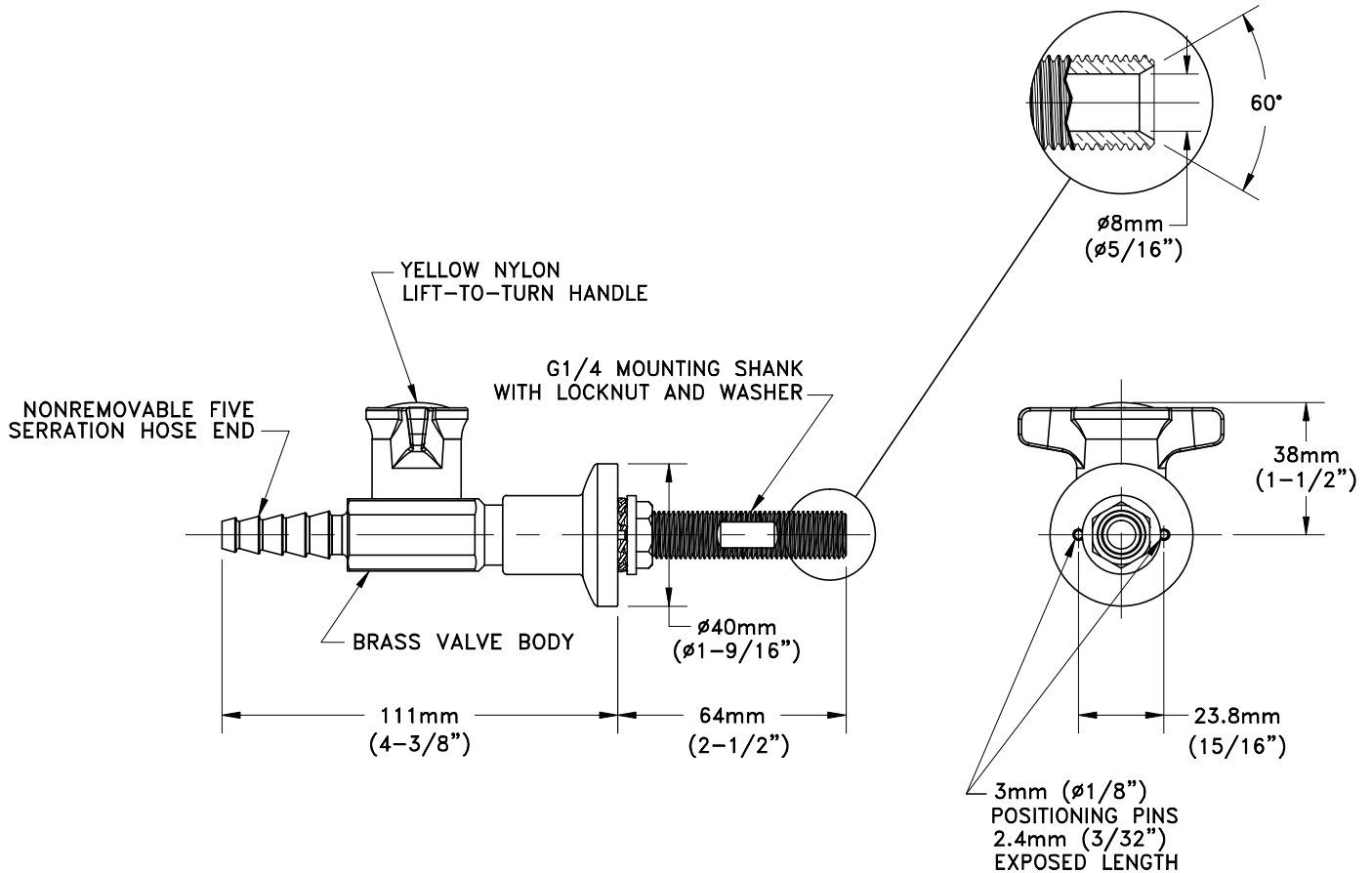


BT2930-1PM
LABORATORY LIFT/TURN GAS VALVE FITTING, PANEL MOUNTED SINGLE



NOTES:

1. HANDLE LOCKS IN CLOSED POSITION. LIFT HANDLE TO UNLOCK AND OPEN VALVE.
2. FITTING IS FACTORY ASSEMBLED AND TESTED AT 8 BAR (125 PSI). MAXIMUM WORKING PRESSURE IS 5 BAR (75 PSI).
3. SPECIFY IF CLEANING FOR OXYGEN AND HIGH PURITY GASES IS REQUIRED.
4. FITTING HAS COLORTECH EPOXY POWDER COATED FINISH. SPECIFY COLOR (WHITE, GRAY OR TAN) WHEN ORDERING.

MEASUREMENTS MAY VARY ±1/4" (6mm).

Drawing Number: _____

Revision Number: 021624-KJS