

4 3 2 1

F

F

E

E

D

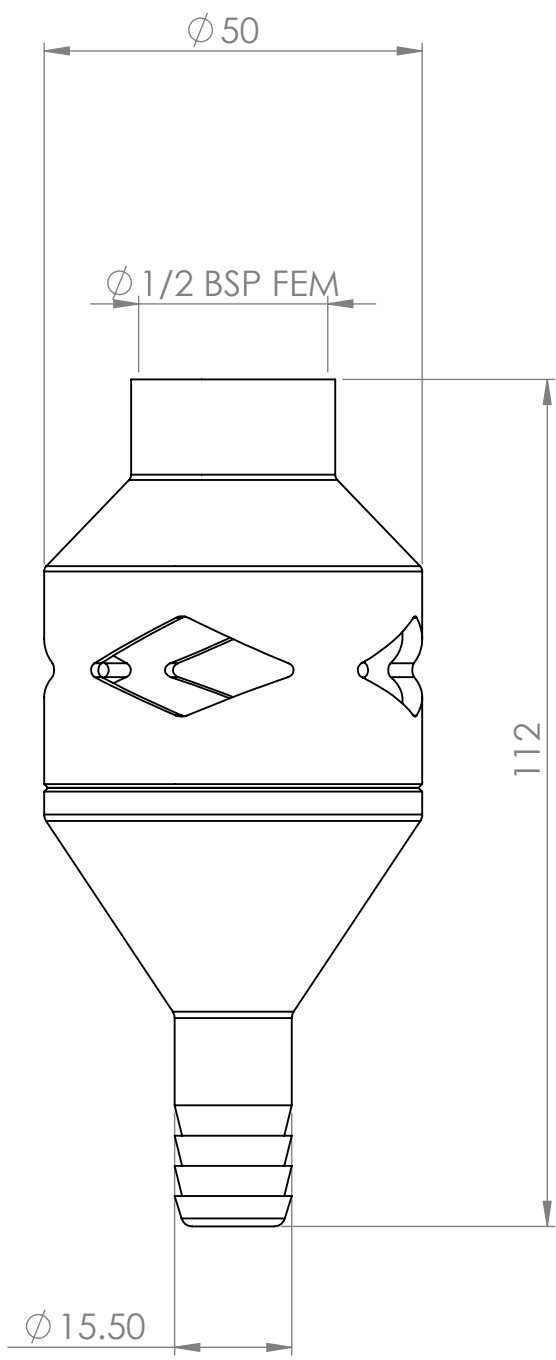
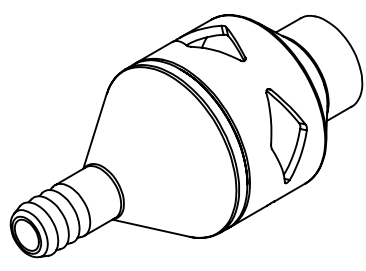
D

C

C

B

B



UNLESS OTHERWISE SPECIFIED:
DIMENSIONS ARE IN MILLIMETERS
SURFACE FINISH:
TOLERANCES:
LINEAR:
ANGULAR:

FINISH:

DEBURR AND
BREAK SHARP
EDGES

DO NOT SCALE DRAWING

REVISION

	NAME	SIGNATURE	DATE
DRAWN			
CHKD			
APPV'D			
MFG			
Q.A			

TITLE:
**WRAS approved
Anti-siphon Nozzle**

MATERIAL:
Brass

DWG NO.
900100

A4

WEIGHT:

SCALE:1:2

SHEET 1 OF 1

4 3 2 1

A

A