

**Area of Application:**

Table  
 Water  
 Min. working pressure 1 bar  
 Max. working pressure 10 bar  
 Min. temperature 5°C  
 Max. temperature 80°C

**Details:**

Check Valve  
 Flowfix 7 L/min  
 45° Cup

**Materials in media contact:**

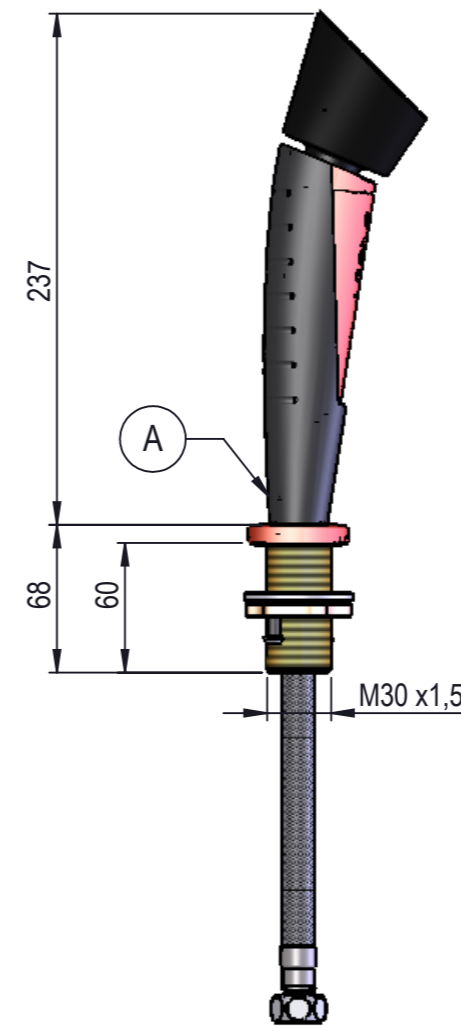
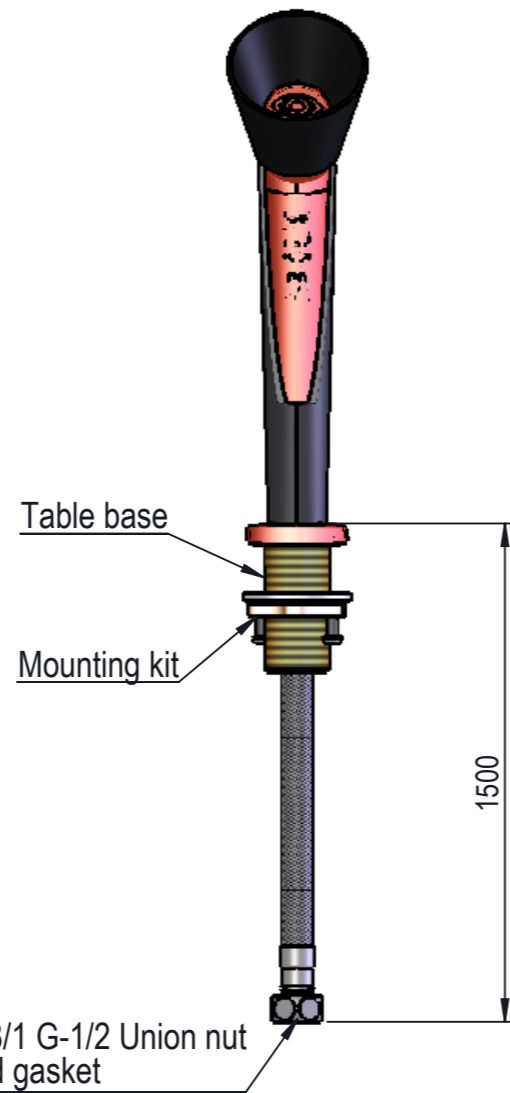
PA  
 SS, AISI 316  
 Rubber, EPDM  
 POM  
 TPE  
 Materials not in media contact: PP, PA, SEBS

**Mounting:**

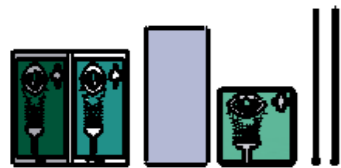
M30x1,5mm

**Inlet / outlet connection:**

Union Nut G1/2"  
 Easy to Clean Spray Head(s)



17001970  
 Signs - instructions



NOTE A: EN Label 94G0122

Description: BROEN Emerg. Hand Eye Shower, Table, ., 45° Cup, .							Media: Water			
							Comments:			
							Drawing type: Customer drawing			
							Weight:			
Rev.	Pos.	Date	TM No.	Design by	Drawn by:	Change:	Designed by: JAK	Drawn by: BJP	Released on TM No.	Date: 17-07-2013
<b>BROEN</b>							Format: A3		Drawing No.: 27100031005011	
							Revision 14-01-2011			