

EW814BC Eyewash, Wall Mounted, Stainless Steel Bowl and Cover



Application: Eyewash for wall mounting. Unit has stainless steel cover to protect bowl from dust, dirt and other contaminants. Two GS-Plus™ spray-type spray heads deliver a flood of water for rinsing eyes.

Spray Head Assembly: Two GS-Plus™ spray heads. Each head has an internal flow control and filter to remove impurities from the water flow.

Valve: 1/2" IPS chrome plated brass stay-open ball valve. Valve is US-made with chrome plated brass ball and Teflon® seals.

Bowl: 11-1/2" stainless steel with bowl cover. Cover is raised automatically when flag handle is activated. Cover closes when handle is returned to closed position.

Mounting: Heavy duty cast aluminum wall bracket with powder coated finish.

Supply: 1/2" NPT female inlet.

Waste: 1-1/4" NPT female outlet.

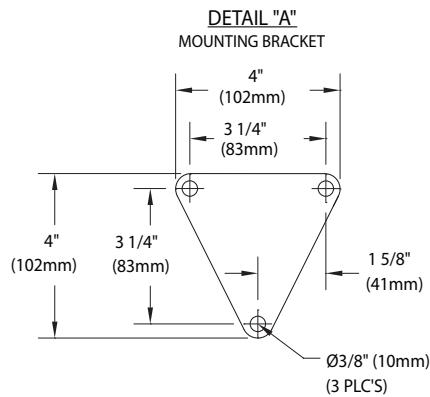
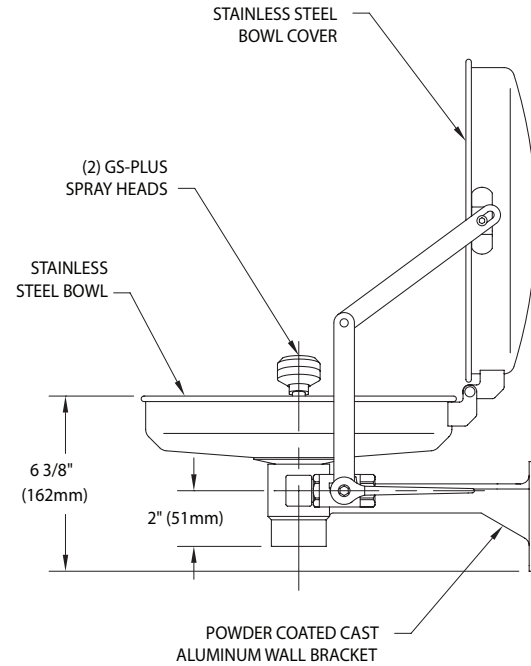
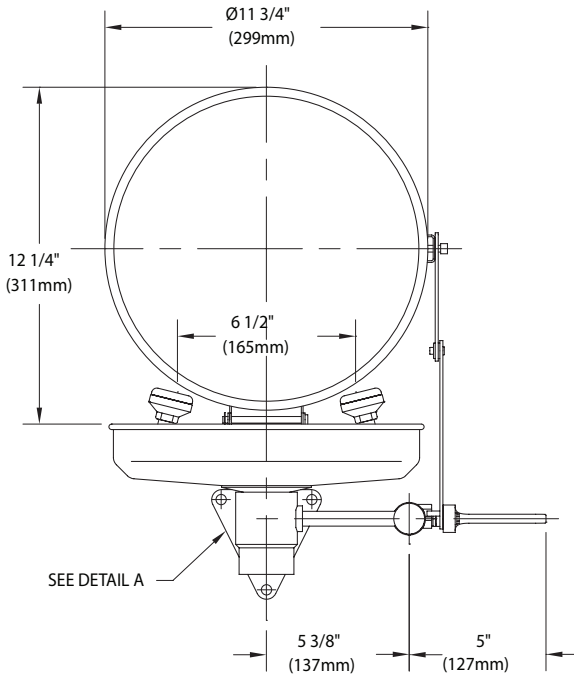
Sign: ANSI-compliant identification sign.

Quality Assurance: Unit is completely assembled and water tested prior to shipment.

Available Options

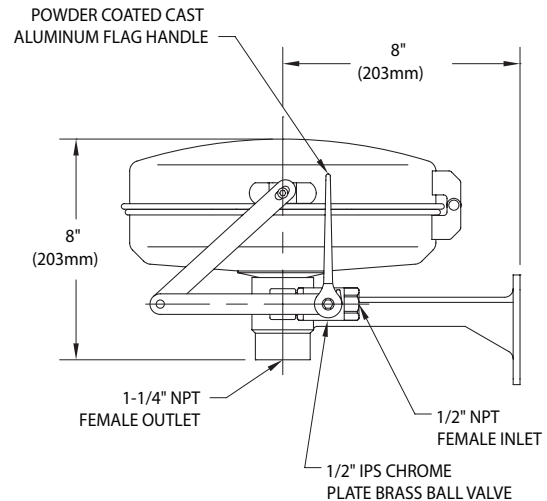
- HS** Auxiliary hand-held drench hose for rinsing eyes, face or body.
- T** Chrome plated brass tailpiece and trap with 1-1/2" IPS waste connection.
- TP** 1-1/2" OD chrome plated brass tailpiece.
- TMV** AP3600 thermostatic mixing valve precisely blends hot and cold water to deliver warm (tepid) water as required by ANSI Z358.1-2014. Refer to "Tempering Units" section for complete technical and product selection information.

EW814BC Eyewash, Wall Mounted, Stainless Steel Bowl and Cover



NOTES:

1. EACH GS-PLUS SPRAY HEAD HAS A "FLIP-TOP" DUST COVER, INTERNAL FLOW CONTROL AND FILTER TO REMOVE IMPURITIES FROM THE WATER FLOW.
2. UNIT SHOULD BE INSTALLED SO SPRAY HEADS ARE 33"-45"(838mm-1143mm) ABOVE FINISHED FLOOR.



THIS SPACE FOR ARCHITECT/ENGINEER APPROVAL

Due to continuing product improvement, the information contained in this document is subject to change without notice. All dimensions are $\pm 1/4"$ (6mm). rev. 0315

Sign Included

