

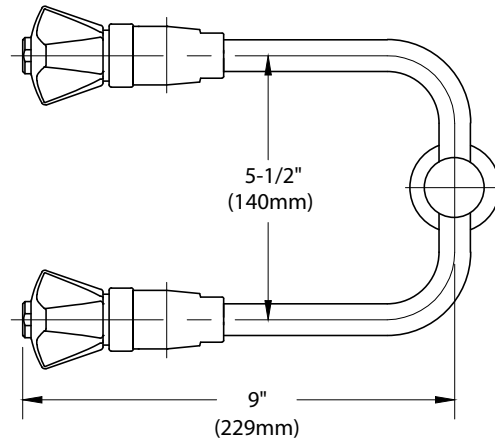
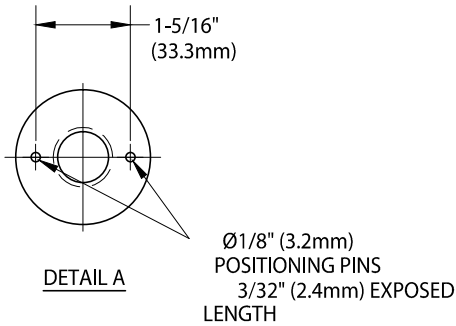


# WaterSaver

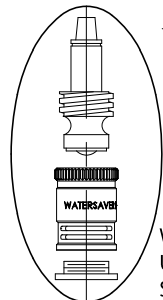
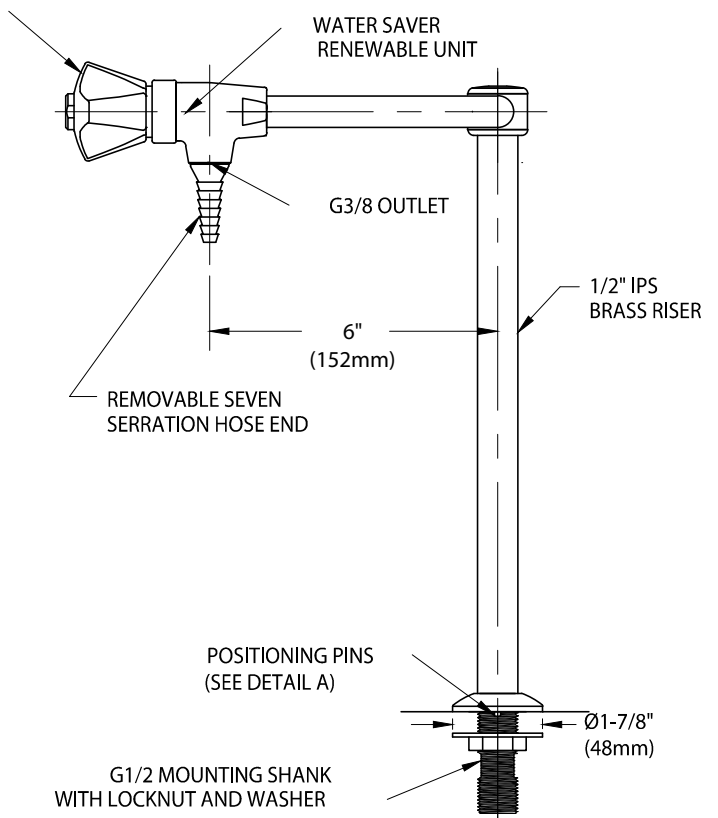
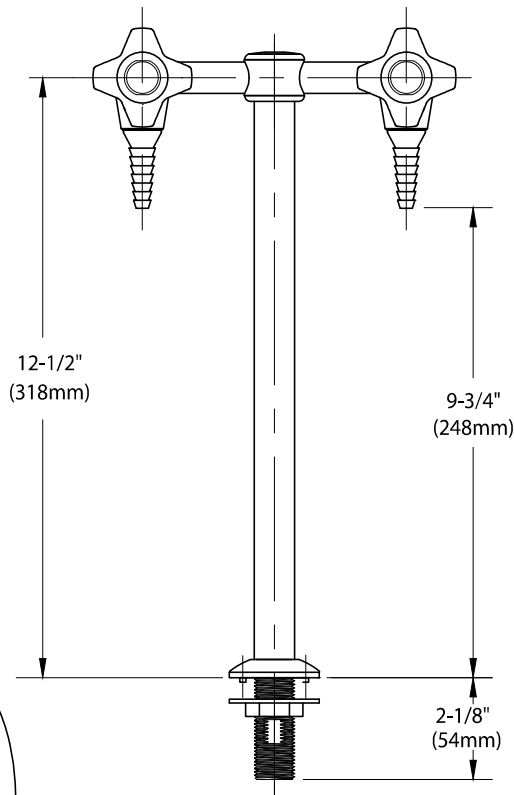
## ColorTech BT

### BT382

#### DOUBLE WATER TAP, DECK MOUNTED



MOLDED NYLON HOODED  
HANDLE COLOR-CODED  
PER EN STANDARD



WATER SAVER RENEWABLE  
UNIT WITH REPLACEABLE  
STAINLESS STEEL SEAT

**NOTES:**

1. FITTING IS FULLY ASSEMBLED AND FACTORY TESTED PRIOR TO SHIPMENT.
2. FITTING HAS COLORTECH EPOXY POWDER COATED FINISH. SPECIFY COLOR (WHITE, GRAY OR TAN) WHEN ORDERING.
3. IF CERAMIC DISC UNIT IS DESIRED, ORDER BTC382.

MEASUREMENTS MAY VARY ±1/4" (6mm).

WaterSaver Faucet Co. 312 666 5500 t  
701 West Erie Street 312 666 5501 f  
Chicago, IL 60654 wsflab.com

Drawing Number:

Revised: 011514-KJS