

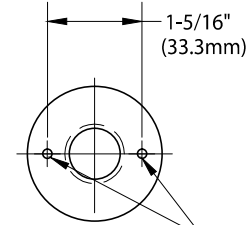
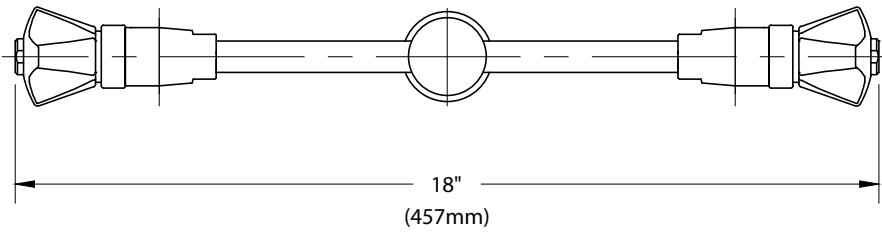


# WaterSaver

## ColorTech BT

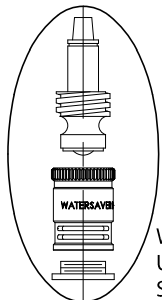
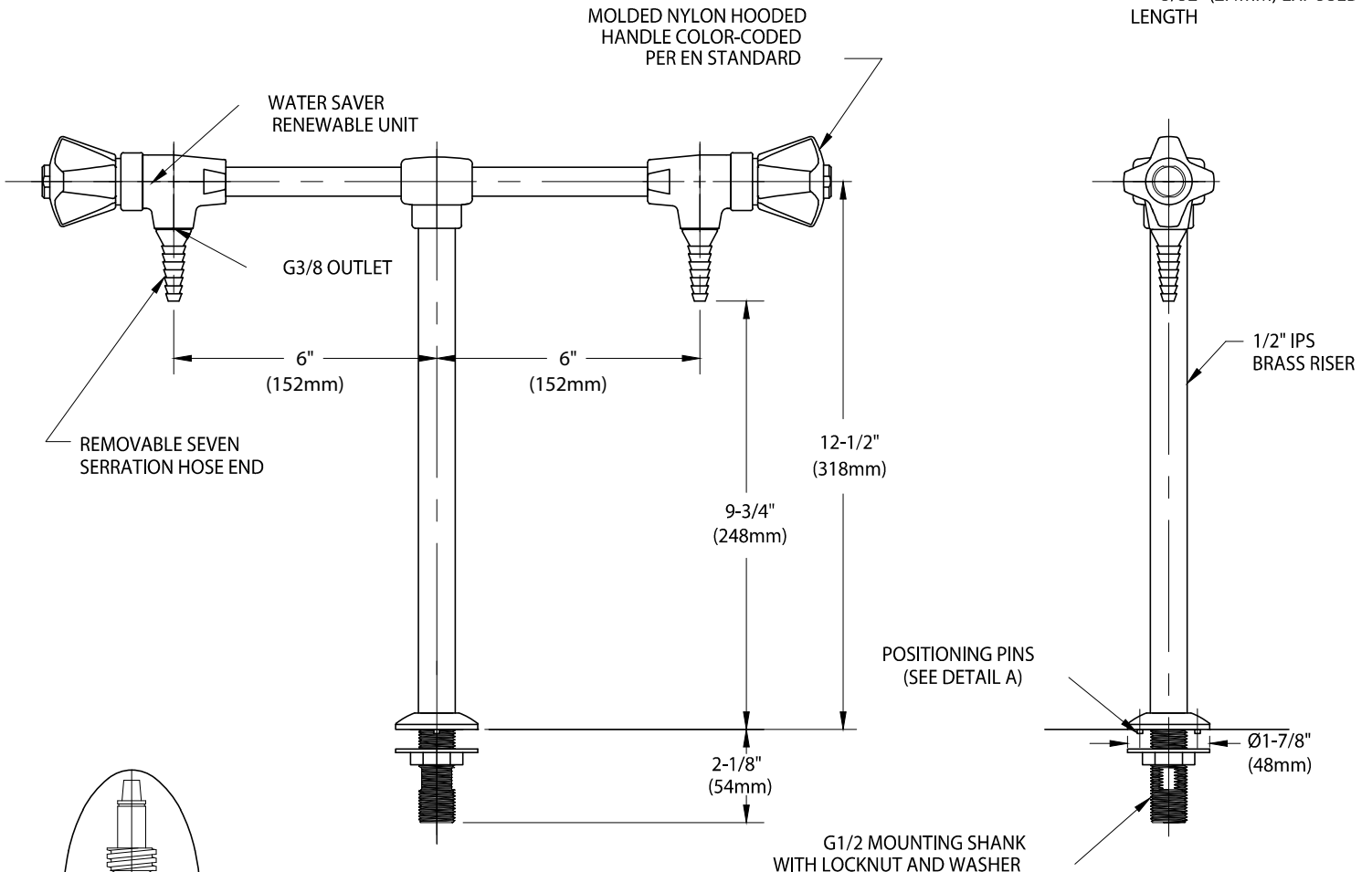
### BT381

#### DOUBLE WATER TAP, DECK MOUNTED



DETAIL A

Ø1/8" (3.2mm)  
POSITIONING PINS  
3/32" (2.4mm) EXPOSED  
LENGTH



WATER SAVER RENEWABLE UNIT WITH REPLACEABLE STAINLESS STEEL SEAT

**NOTES:**

1. FITTING IS FULLY ASSEMBLED AND FACTORY TESTED PRIOR TO SHIPMENT.
2. FITTING HAS COLORTECH EPOXY POWDER COATED FINISH. SPECIFY COLOR (WHITE, GRAY OR TAN) WHEN ORDERING.
3. IF CERAMIC DISC UNIT IS DESIRED, ORDER BTC381.

MEASUREMENTS MAY VARY ±1/4" (6mm).

WaterSaver Faucet Co. 312 666 5500 t  
701 West Erie Street 312 666 5501 f  
Chicago, IL 60654 wsflab.com

Drawing Number:

Revised: 073013-TEC